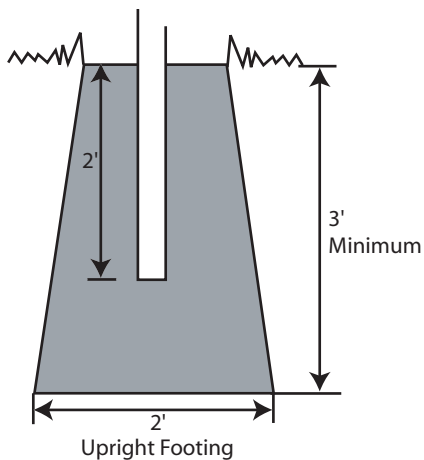
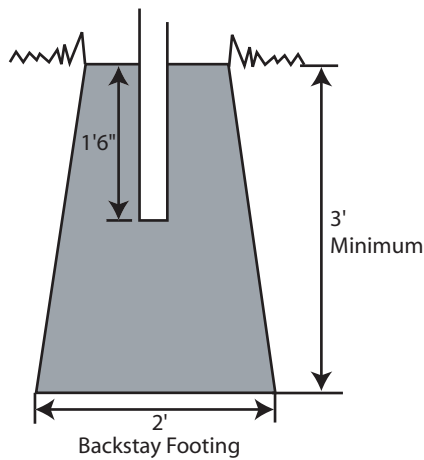
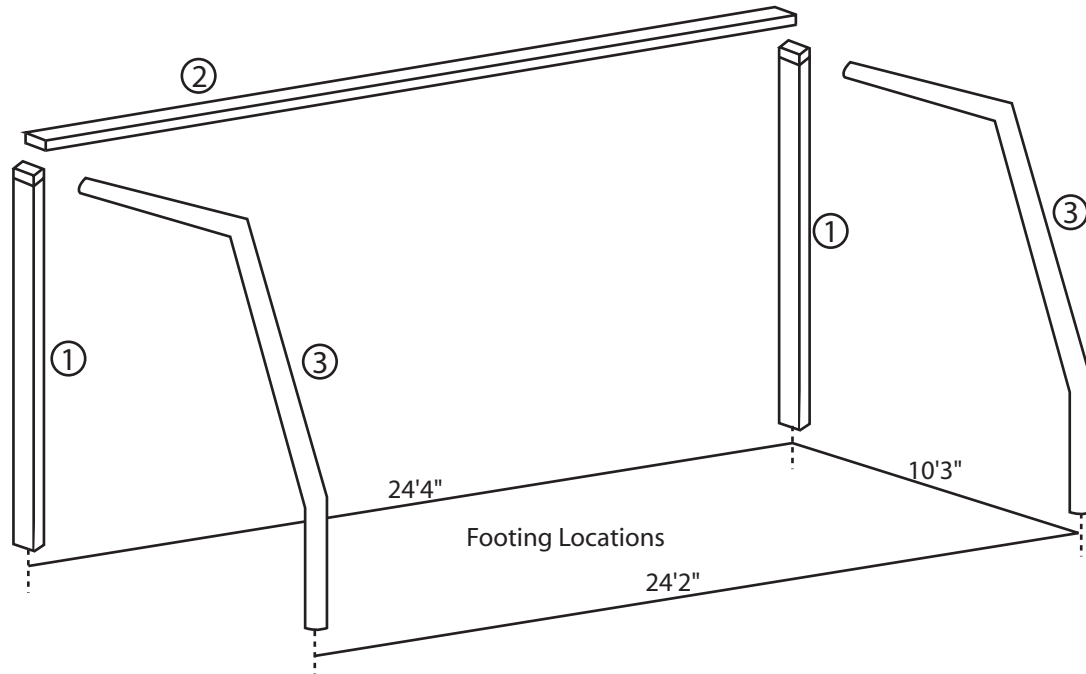


# Permanent Soccer Goal Model CSG-4



NOTE: Footing depths are suggested and may vary according to soil conditions.

## Parts:

- ① 4 Qty- Leg Assembly 4" x 4" x 10'
- ② 2 Qty- Crossbar 4" x 4" x 24'8"
- ③ 4 Qty- Backstay

## Parts Carton:

- 4 Qty - End Plugs
- 2 Qty - Net Hooks (26/package)
- 4 Qty - 10" Bolt Bag

## Installation:

1. Locate Center of End Line
2. Dig four footings as shown in the Footing Location
3. Install Crossbar (Part #2) by sliding its end into end of leg assemblies, making sure that the net hook holes are facing UP.
4. Line up bolt holes on crossbar with bolt holes of upright. Insert bolts and tighten.
5. Install net hooks.
6. Stand square leg assemblies in footing holes at the end line. Fill footing holes with cement around leg assemblies to ground level.
7. Double Check: Make sure that front leg assemblies are straight up and down and do not lean to either side.
8. Let footing cement of front leg assemblies harden.
9. Insert backstay end in weld fitting of front leg assemblies.
10. Fill rear footing holes with cement.
11. Insert end plugs in crossbar.