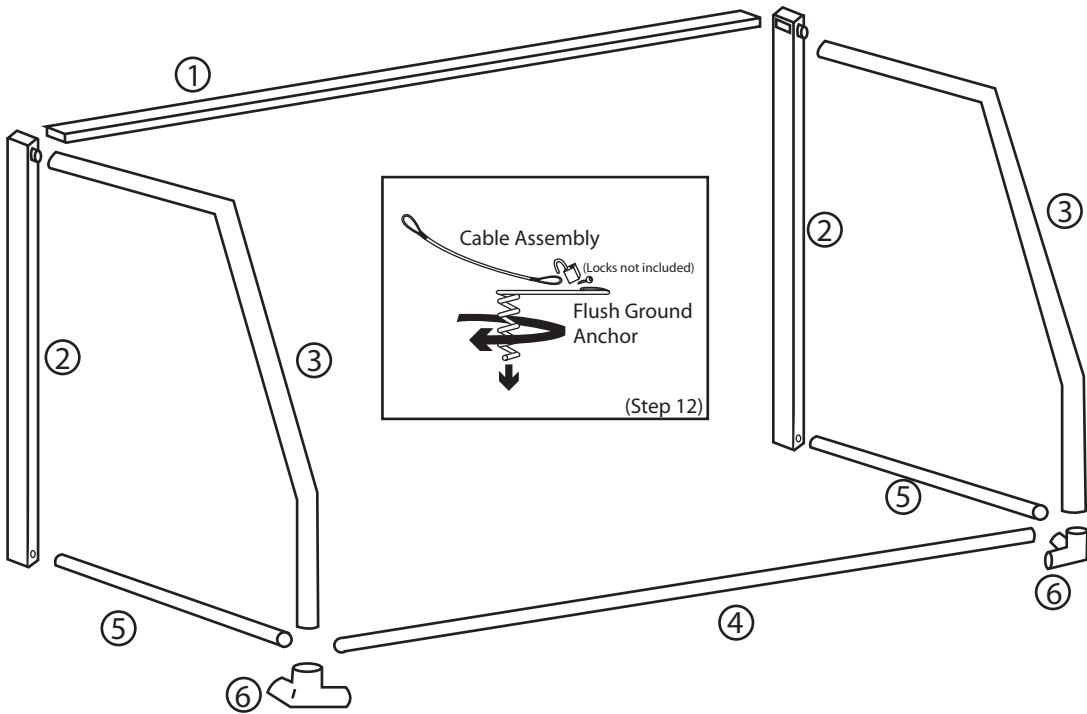


Portable Soccer Goal Model CSG-4P



Parts List:

- ① 2 Qty - Crossbar 4" x 4" x 24'8"
 - ② 4 Qty- Leg Assembly 4" x 4" x 8'
 - ③ 4 Qty - Backstay 6" stub
 - ④ 2 Qty - Base Bar (Bottom) 1.9" x 24'
 - ⑤ 4 Qty - Side Bar 1.9" x 10'
- Parts Carton:
- ⑥ 4 Qty - Fitting 3 way
 - 4 Qty - End Plugs 4" x 4"
 - 1 Qty - Allen Wrench
 - 4 Qty - Flush Ground Anchors
 - 4 Qty - Cable Assemblies
 - 2 Qty - Eyebolt Bag
 - 4 Qty - 8' Bolt Bag

Suggested Materials:

- ◆ Lock system for anchors

Goals should be used on a level area.

1. Lay uprights on ground approximately 24' apart. The bottom ends should be near desired position when raised. The welded fittings should be pointing up.
2. Lay crossbar at top end of upright with net hook holes pointing up and holes on end of crossbar pointing from uprights.
3. Remove bolts from collar and slid collar over crossbar until holes on collar and crossbar match up. Insert bolts and tighten, Make sure lock washer is on nut end.
4. Repeat step 3 for other upright.
5. Assemble backstay & side bar using 3 way fitting provided. Make sure the empty hole of the three way fitting, when assembled is raised, will be pointing inward. Tighten the fitting to tubing using the allen wrench provided.
6. Raise backstay assembly and put the sidebar end into the bottom welded fitting on the upright and the 4' end into the welded fitting nearest the crossbar. Run bolt thru backstay and tighten. Make sure assembly is vertical, by using a level and then tighten down the two pinch type bolts until backstay assembly is stable.
7. Repeat steps 5 & 6 for the other backstay assembly.
8. Take open eye hooks and screw into predrilled holes on crossbar & uprights.
9. Raise goal.
10. Take backbar and put in empty hole of each three way fitting and tighten.
11. Position goal making sure the uprights are vertical.
12. Take ground anchors and screw into ground near backbar. Use cable assemblies with a lock system and fasten backbar to ground anchor. This system is recommended to eliminate unauthorized moving of the goal.
13. Double-check and make sure all bolts and screws are tightened properly.
14. Place rubber end plugs in crossbar.
15. Place safety label on front of goal at eye level.

CAUTION: When moving this freestanding goal, it is recommended that the goal be disassembled.

All bolts should be checked periodically for proper tightness.



Manufactured by Douglas Industries, Inc.