

Semi-Permanent Soccer Goal Model CSG-4S

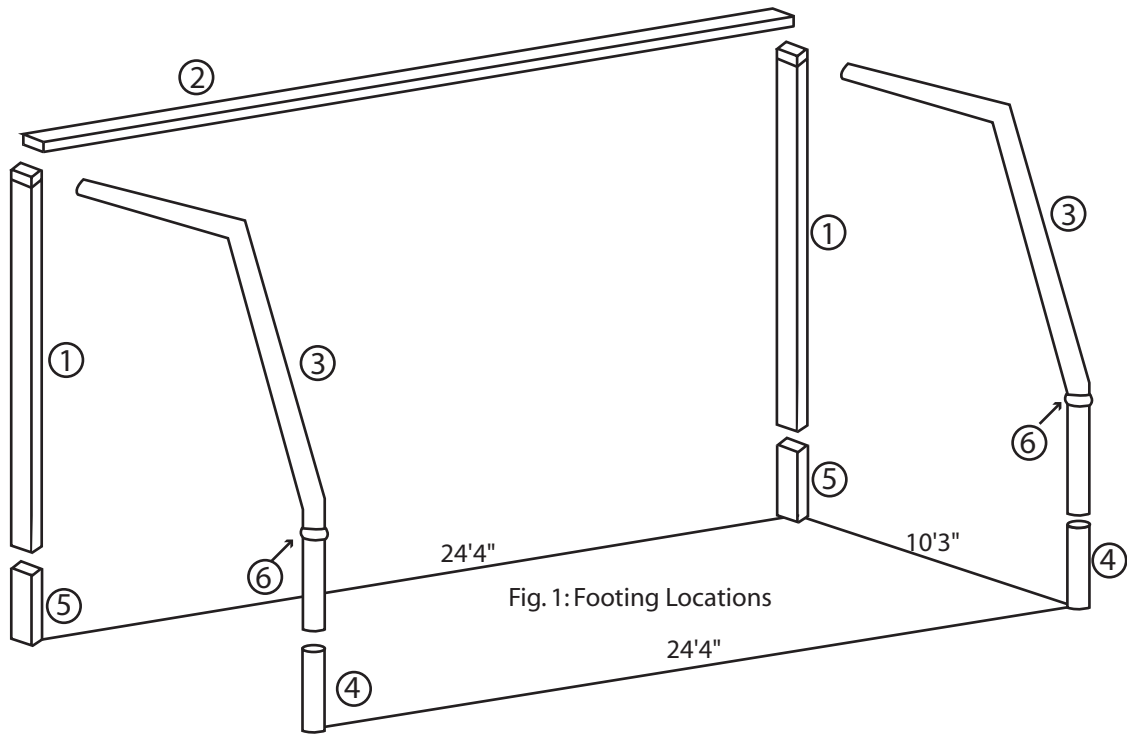


Fig. 1: Footing Locations

Parts:

- ① 4 Qty- Leg Assembly 4" x 4" x 10'
- ② 2 Qty- Crossbar 4" x 4" x 24'8"
- ③ 4 Qty- Backstay (18" Stub)
- ④ 4 Qty- PVC Ground Sleeves (2" i.d. x 24")
- ⑤ 4 Qty- GS-24 Square Ground Sleeves (4 1/2" x 24")

Parts Carton:

- 4 Qty - End Plugs
- 2 Qty - Net Hooks (26/package)
- ⑥ 4 Qty - Collars (2 3/8" o.d. x 2" i.d.)
- 4 Qty - Bolt Bag

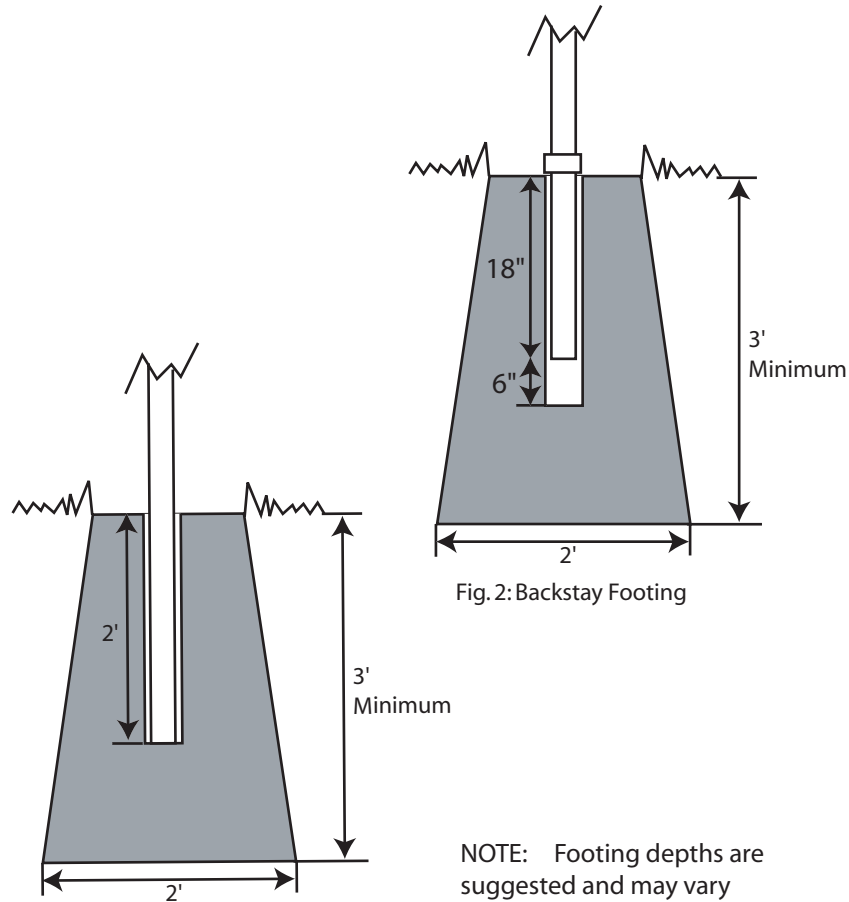


Fig. 2: Backstay Footing

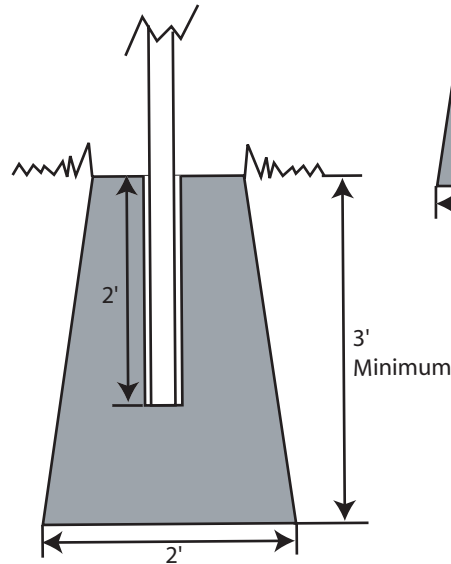


Fig. 3: Upright Footing

NOTE: Footing depths are suggested and may vary according to soil conditions.