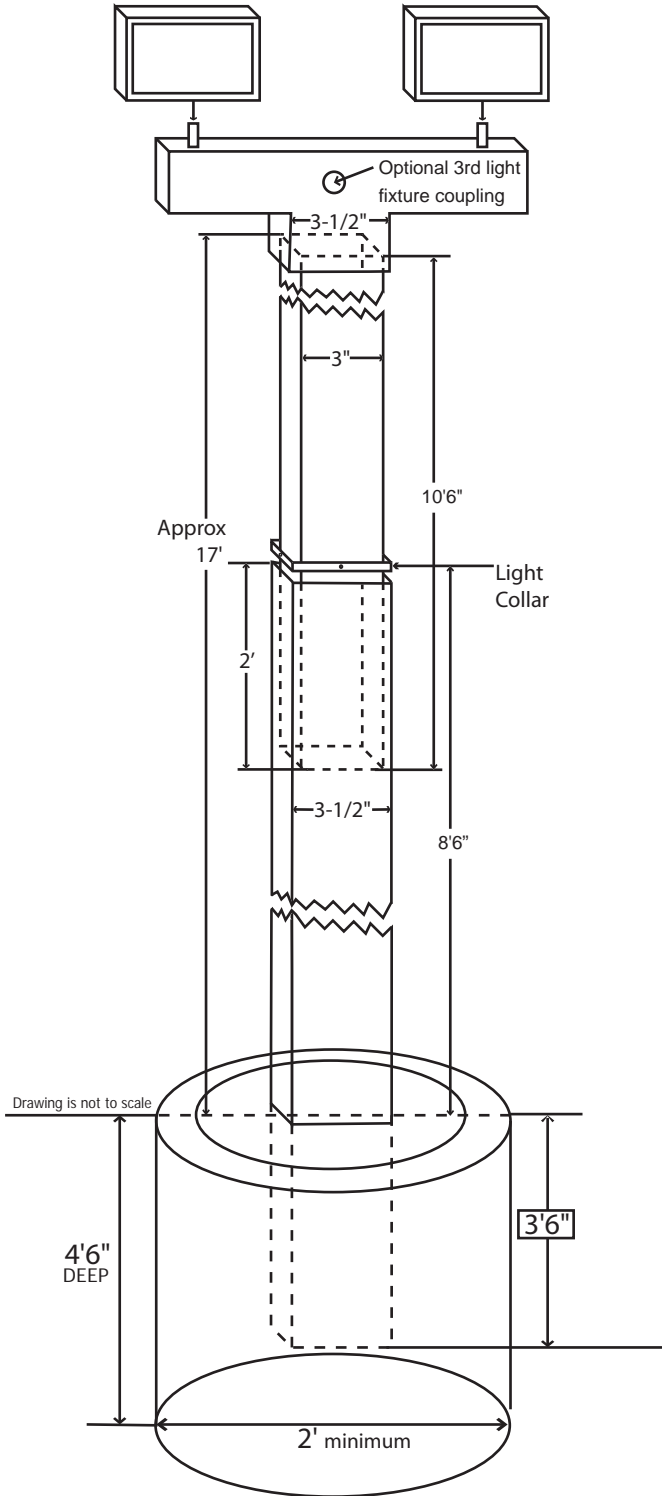




INSTALLATION INSTRUCTIONS

Stand Alone Lighting System



Parts List:

- 1- 12' -3 1/2" Square Pole
- 1- Light Pole - 10'6" long x 3" Square
- 2- Light Fixtures w/ Lamps
- 1- Light Extension Arm
- 1- Light Adjustment Collar 3-1/2" Square

Tools Required:

- | | |
|--------------|---------------|
| Level | Socket Wrench |
| Shovel | Allen Wrench |
| Concrete | 20' Rope |
| 9/16" Socket | Wiring |

1. The 12' pole should be sunk to the depths shown on the illustration below, with concrete one foot below the end of the pole. Do not proceed to Step 2 until concrete has cured a minimum of 72 hours. Allow additional time for cold, wet, or humid weather.
2. Assemble the top light system on the ground and then secure onto the 12' pole:
 - A. Slide the 3-1/2" sq height adjustment collar on either end of the light pole a minimum of 24" from end (this allows 17' from the surface to the top of the light pole) and tighten the 4 set screws.
 - B. Attach the lights and string the 20' of rope through the pole. This way you will have a guide rope already in place to pull the wire through.
 - C. Insert the end of the light pole into the 12' pole.
3. Installation and wiring of the light extension arm and fixtures should be completed by a state certified electrician.