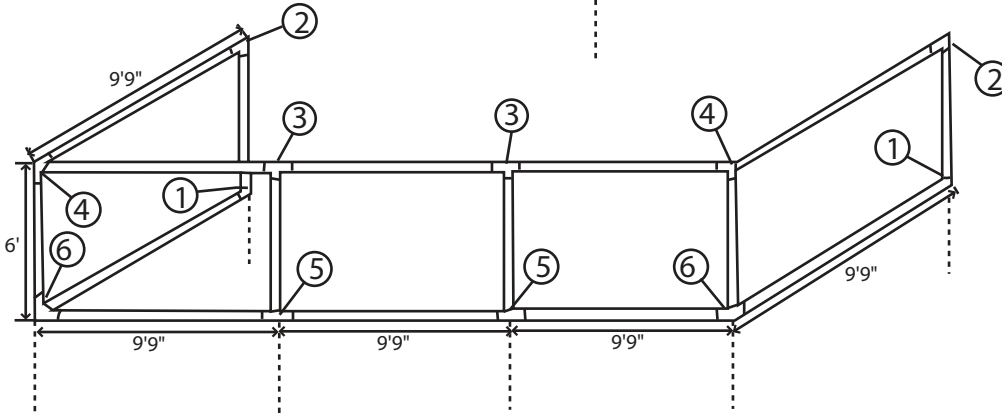
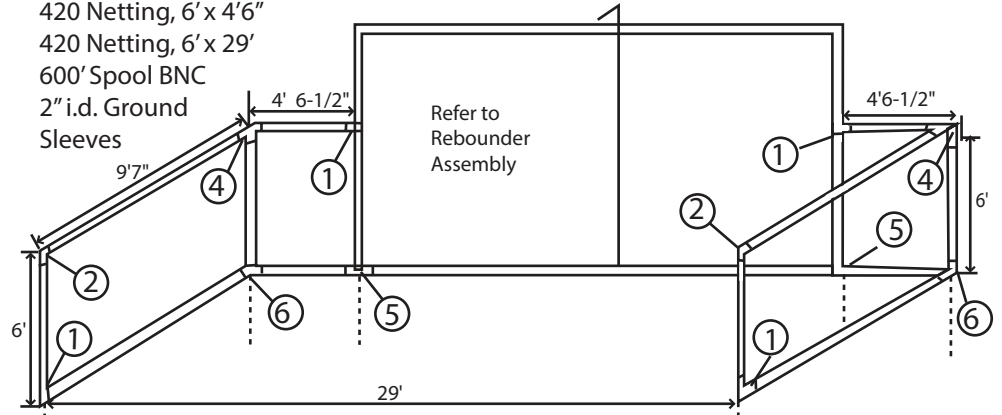




PARTS LIST

| Reference | Qty | Description | Qty | Description |
|-----------|------|------------------------|------|------------------------|
| A | (18) | 61-1/4" tubes | (4) | 420 Netting, 6' x 9'7" |
| B | (24) | 61-1/4" tube with swag | (2) | 420 Netting, 6' x 4'6" |
| C | (10) | 31-1/4" tubes | (1) | 420 Netting, 6' x 29' |
| 1 | (4) | 10-8 Kee Klamp | (1) | 600' Spool BNC |
| 2 | (4) | 15-8 Kee Klamp | (10) | 2" i.d. Ground Sleeves |
| 3 | (4) | 25-8 Kee Klamp | | |
| 4 | (4) | 20-8 Kee Klamp | | |
| 5 | (4) | 26-8 Kee Klamp | | |
| 6 | (4) | 21-8 Kee Klamp | | |



Note: Measurements are center of sleeve to center of sleeve
 * For 9'9" lengths use Posts A & B together and cut to length
 * For 7'6" lengths use B & D
 * For 4'6-1/2" use A

