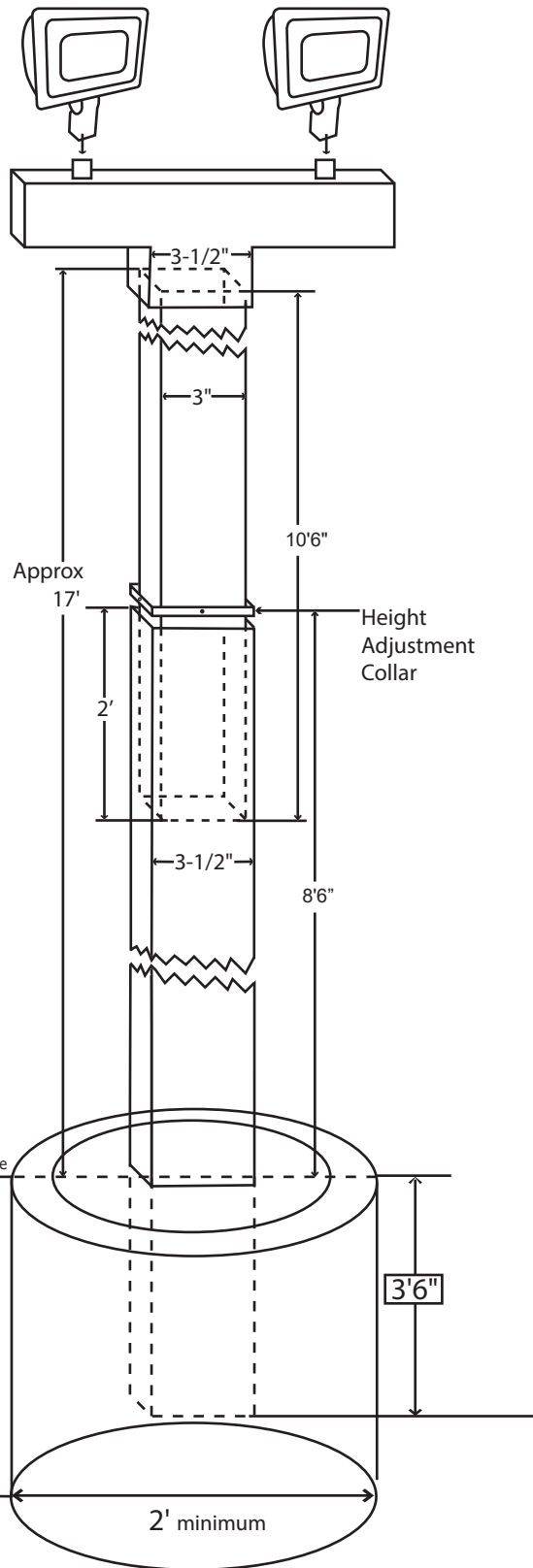




Stand Alone Light System with LED Lights

Item # 68517



PARTS LIST

Qty	Description
(1)	12' -3 1/2" Square Pole
(1)	Light Pole - 10'6" long x 3" Square
(2)	Light Fixtures w, 150 W LED Lights
(1)	Light Extension Arm
(1)	Height Adjustment Collar

TOOLS NEEDED

Level
Shovel
Concrete
9/16" Socket
Socket Wrench
Allen Wrench
20' Rope
Wiring

1. The 12' pole should be sunk to the depths shown on the illustration below, with concrete one foot below the end of the pole. Do not proceed to Step #2 until concrete has cured a minimum of 72 hours. Allow additional time for cold, wet or humid weather. Optional Ground Sleeves are available.
2. Assemble the top light system on the ground and then secure onto the 12' pole:
 - A. Slide the height adjustment collar on either end of the light pole a minimum of 24" from end (this allows 17' from the surface to the top of the light pole) and tighten the (4) set screws.
 - B. Attach the lights and string the 20' of rope through the pole. This way you will have a guide rope already in place to pull the wire through.
 - C. Insert the end of the light pole into the 12' pole.
3. Installation and wiring of the light extension arm and fixtures should be completed by a state certified electrician.