

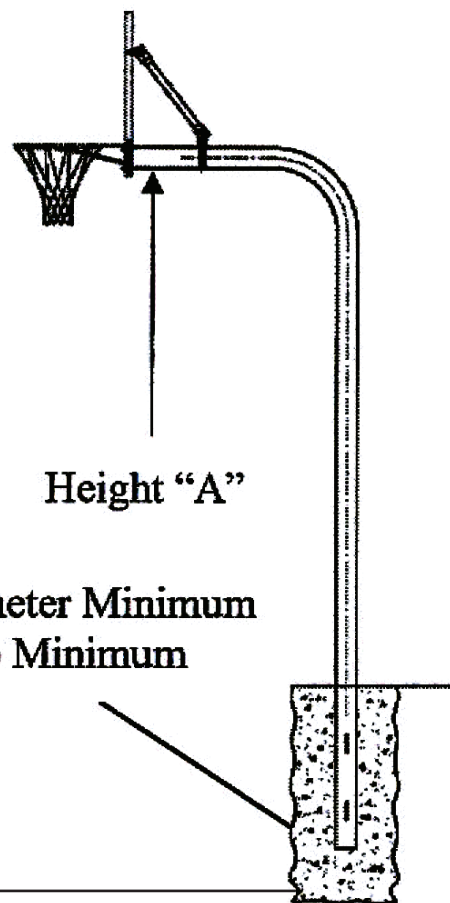
Gooseneck Basketball Systems

Tools Needed:

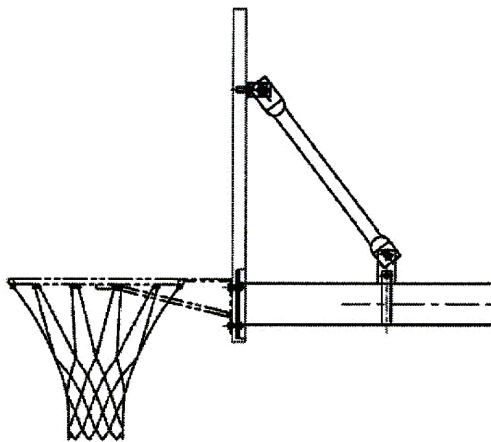
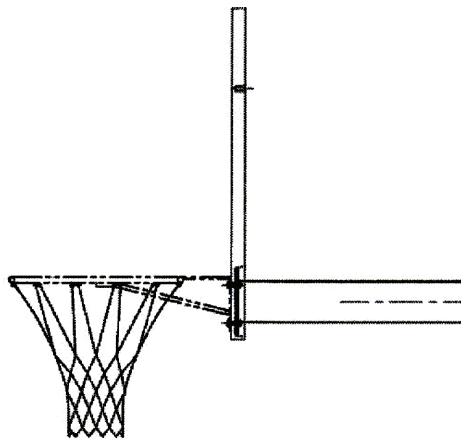
Spade
Shovel
Hammer
1/2" Wrench
9/16" Wrench

Mark the center of the hole to be dug. The center of the post when installed will be as follows:

| Model | Hole Center from Face of Board | Height A |
|-----------------|--------------------------------|-------------|
| 3.5 Systems | 3' - 0" | 9' - 7 1/2" |
| 4.5 Systems | 4' - 0" | 9' - 7" |
| 5-9/16" Systems | 6' - 0" | 9' - 6 1/2" |

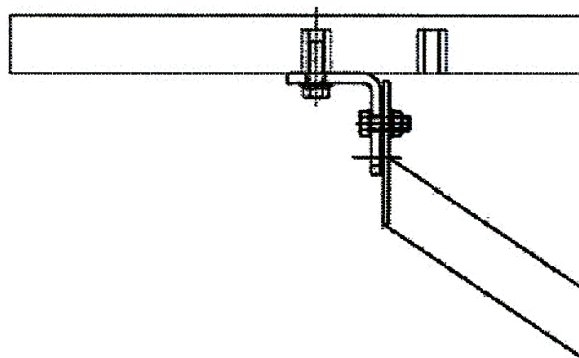


1. Dig a hole a minimum of 24" in diameter and 48" deep minimum.
 2. Mix concrete and pour enough concrete in hole to bring the depth to about 36". Set post in the center of the hole and align gooseneck of the post with the playing area. Brace and support the post to hold it plumb and maintain height "A" from the bottom of the gooseneck to the playing surface.
- NOTE: This dimension is critical to maintain a 10' playing height when the goal is installed.
3. Pour remainder of concrete into hole and around the post. Slope concrete away from the post to provide drainage.
 4. Allow concrete to set before attempting to install board and goal.



5. Install board to post using two of the 3/8 x 1" bolts (supplied with the backboard) in the top and bottom holes on the center of the plate. Depending on the type of board being installed, the bolts required will be either a carriage bolt (used with steel boards) or the flat head bolts (used with aluminum boards).

6. Install the goal onto the board using the hardware supplied in the goal box. These bolts will go through the goal, backboard and post plate. Tighten these bolts securely.



7. Install the post clasp onto the gooseneck and insert the clasp extension between the flanges of the post clasp. Secure with the 5/16" x 1 carriage bolt. Do not tighten this bolt yet.
8. Install the braces, one on each side of the post clasp and fasten with 3/8 x 1.25" bolt. Do not tighten this bolt yet.
9. Install the mounting bracket to the back of the board. Depending on the type of board, either the 3/8" x 1" carriage bolts will be used or the 3/8" x 1" hex bolt will be required.
10. Install the brace to the bracket using the 3/8 x 1.25" bolts and locknuts. Adjust the board for plumb and level and tighten all bolts securely.